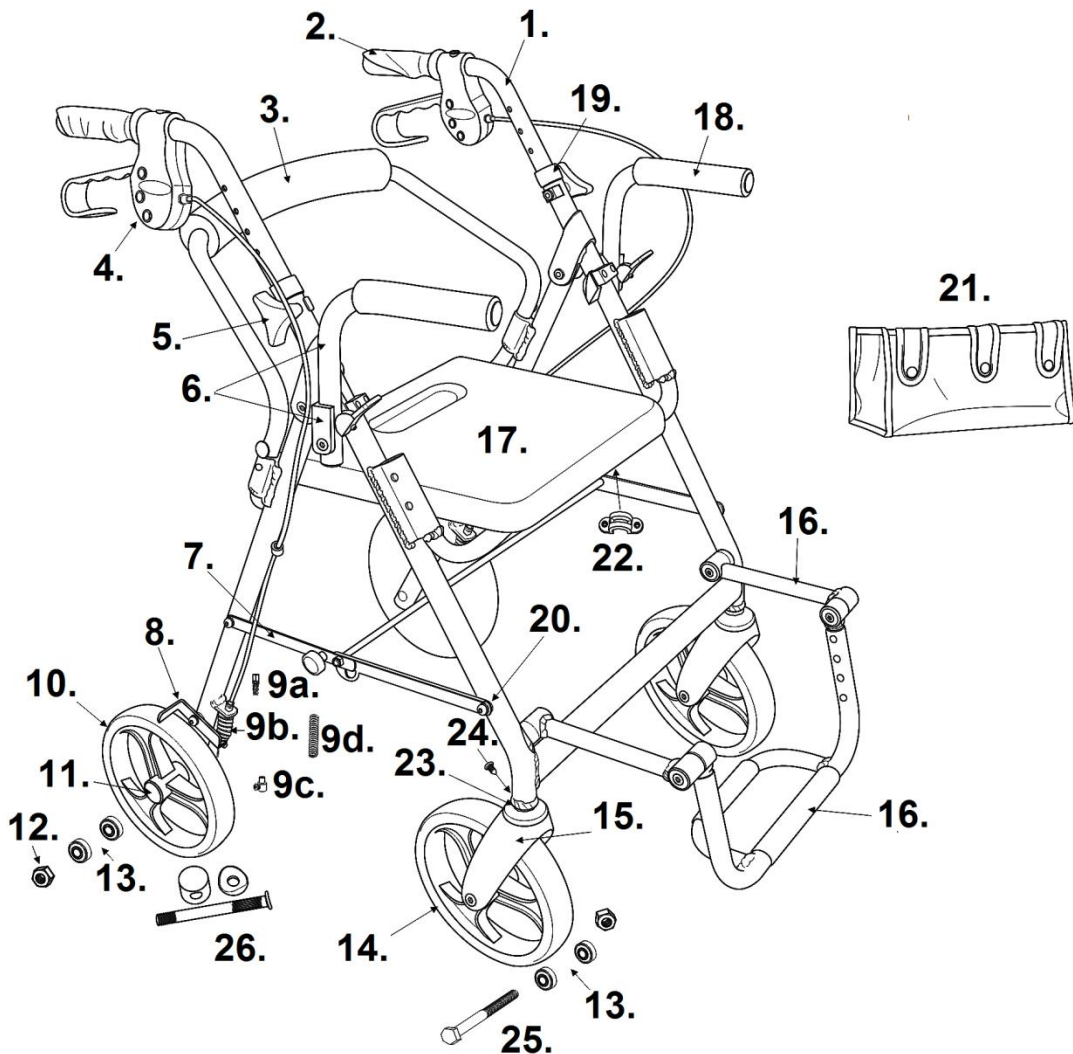


795 DUET



- | | |
|--|---|
| 1. Handle Bar 1A & 2Y S/N Left- 9501A79511
Handle Bar 1A & 2Y S/N Right- 9501A79512
Handle Bar 2M & 20H S/N- 750HBAR-1M | 13. Wheel Bearing- STDS1011 |
| 2. Handgrip Left- 950340089901
Handgrip Right- 950340079901 | 14. Caster (3 Spokes)- 9501A75007 |
| 3. Backrest- 9501A79501 | 15. Fork 1A & 2Y S/N- 750FORK
Fork 2M & 20H S/N- 750FORK-2M |
| 4. Hand Brake 1A & 2Y S/N- 750BRAKE
Hand Brake 2M & 20H S/N- 750BRAKE-2M
Handle Bar Assy. 1A & 2Y S/N Left- 750BCL
Handle Bar Assy. 1A & 2Y S/N Right- 750BCR
Handle Bar Assy. 2M & 20H S/N Left- 750BCL-2M
Handle Bar Assy. 2M & 20H S/N Rt.- 750BCR-2M
(includes brake, grip & handle bar) | 16. Footrest Assembly
Red 1A & 2Y S/N- 9501A7953R
Blue 1A & 2Y S/N- 9501A7953B
Black 1A & 2Y S/N- 9501A7953BK
Red 2M & 20H S/N- 9501A7953R-2M
Blue 2M & 20H S/N- 9501A7953B-2M
Black 2M & 20H S/N- 9501A7953BK-2M |
| 5. Height Adjustment Knob- 10208KN | 17. Seat- 795SEAT |
| 6. Elbow Rest Assy. 1A & 2Y S/N Left- 9501A7951L
Elbow Rest Assy. 1A & 2Y S/N Rt.- 9501A7951R
Elbow Rest Assy. 2M & 20H S/N Lt.- 9502M7951L
Elbow Rest Assy. 2M & 20H S/N Rt.- 9502M7951R | 18. Elbow Pad- 9501A79505 |
| 7. Folding Hinge Assembly- 9501A79502 | 19. Anti-Rattler- 950300169901 |
| 8. Wheel Lock Left- 9501A7502L
Wheel Lock Right- 9501A7502R | 20. Folding Hinge Bolt- 9500075005 |
| 9a. Adjuster- 9500001232 | 21. Tote 1A & 2Y S/N- 9501A79504
Tote 2M & 20H S/N- 9501A79504-2M |
| 9b. Spring Boot- 9501A75003 | 22. Seat Bracket 1A & 2Y S/N- 9501A75013
Seat Bracket 2M & 20H S/N- 9502M75013 |
| 9c. Cable Fastener- 9500004101 | 23. Fork Fastener
Set Screw 1A & 2Y S/N- 9501A79510
Set Screw 2M & 20H S/N- 9501A79510-2M
Roll Pin- 9501A79510-RP |
| 9d. Spring- 951021820000 | 24. Set Screw- 9501A79503 |
| 10. Rear Wheel (3 Spokes)- 9501A75008 | 25. Caster Axle- 9500075010 |
| 11. Rear Axle Cap- 9501A75005 | 26. Rear Axle Assy. 1A & 2Y S/N- 9501A79506
Rear Axle Assy. 2M & 20H S/N- 9501A79506-2M |
| 12. Axle Nut- 9500075009 | |